



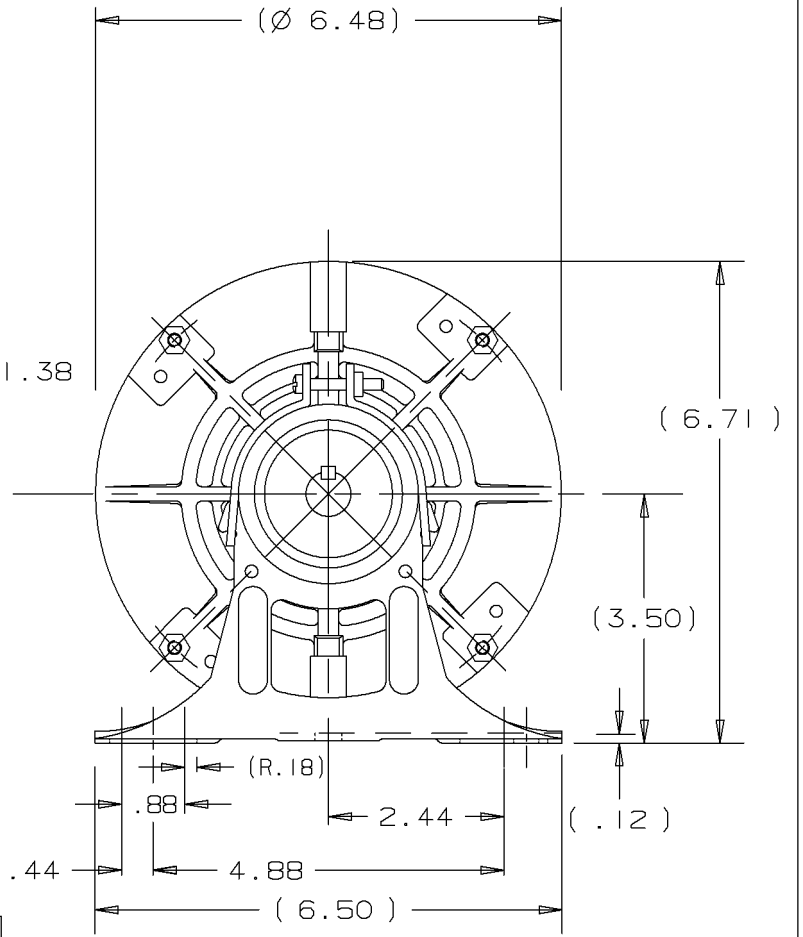
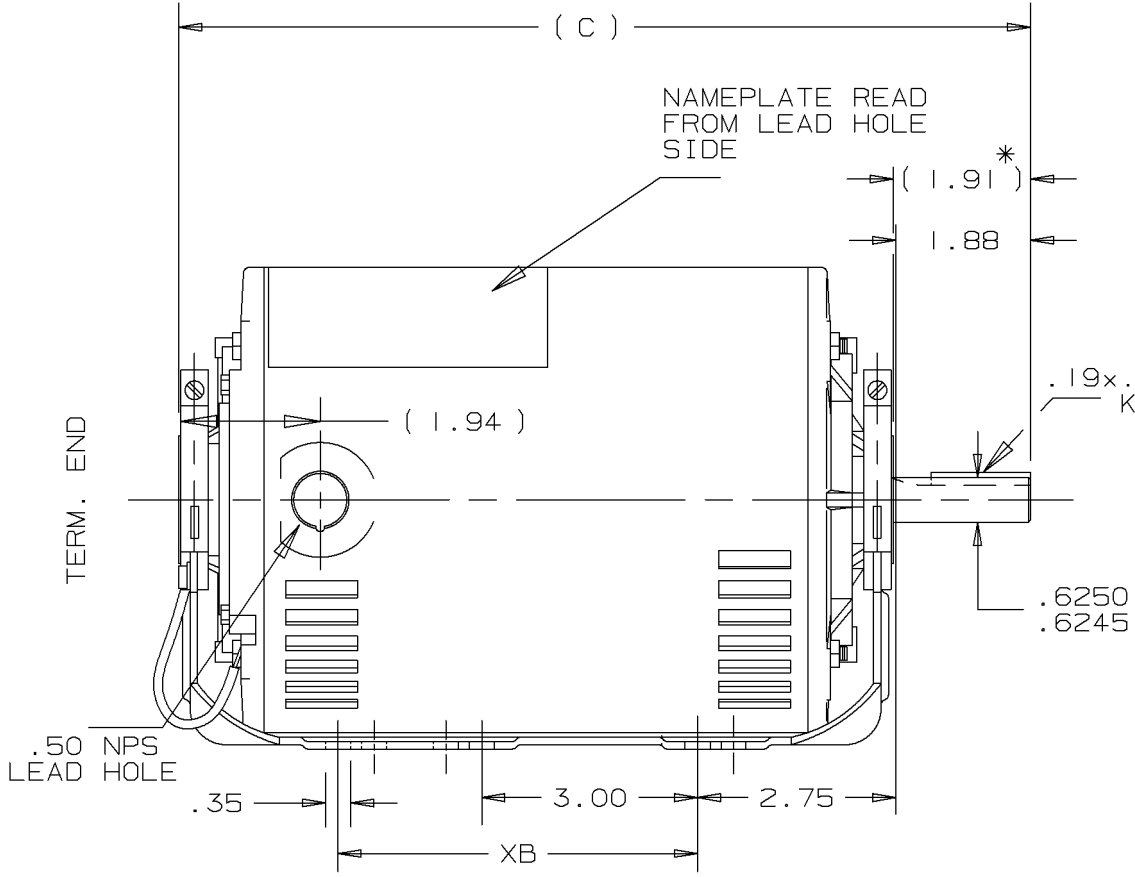


**Nameplate Specifications**

Phase	3	Output HP	1.50 & 1 Hp
Output KW	1.1 & 0.75 kW	Voltage	208-230/460 & 190/380 V
Speed	1725 & 1425 rpm	Service Factor	1.15 & 1.15
Frame	56	Enclosure	Drip Proof
Thermal Protection	No Protection	Efficiency	80 & 80 %
Ambient Temperature	40 °C	Frequency	60 & 50 Hz
Current	4.8-4.8/2.4 & 4.2/2.1 A	Power Factor	74
Duty	Continuous	Insulation Class	B
Design Code	B	KVA Code	K
Drive End Bearing Size	6203	Opp Drive End Bearing Size	6203
UL	Recognized	CSA	Y
CE	Y	IP Code	22
Number of Speeds	1		

**Technical Specifications**

Electrical Type	Squirrel Cage Induction Run	Starting Method	Across The Line
Poles	4	Rotation	Reversible
Mounting	Resilient Base	Motor Orientation	Horizontal
Drive End Bearing	Ball	Opp Drive End Bearing	Ball
Frame Material	Rolled Steel	Shaft Type	T
Overall Length	11.35 in	Frame Length	7.06 in
Shaft Diameter	0.625 in	Shaft Extension	1.91 in
Assembly/Box Mounting	F1 ONLY		
Connection Drawing	A-EE7308	Outline Drawing	A-100128-706



\* DIMENSION IS FROM RESILIENT RING END CAP TO END OF SHAFT

NOTES:  
1. MOTOR MUST BE ROTATED TO PROVIDE SOCKET CLEARANCE FOR GROUND SCREW, MAXIMUM (10 DEGREES).

DASH	FR.	C	XB		DASH	FR.	C	XB	
606	56-60	10.35	0		806	56-80	12.35	5.00	
656	"-65	10.85	0		856	56-85	12.85	5.00	
706	"-70	11.35	0		906	56-90	13.35	5.00	
756	"-75	11.85	5.00		956	56-95	13.85	5.00	

						✓ UNLESS OTHERWISE SPECIFIED DIMENSIONS ARE IN INCHES TOL. ON XX± .03 XXX± .005 XXXX± .0005 ANGLES± 7'30"				
						MAX. SURFACE ROUGHNESS UNLESS OTHERWISE NOTED		DRAWN BY TRB 09-14-1999		
						FINISH		CHKD BY ML 09-14-1999		
						MATERIAL		APPD BY GK 09-14-1999		
REV	DATE	CHANGE		NAME	PART NAME OUTLINE 56 FR. - DR.PR. - 3Ø - RESIL. MT				DRWG NO A-100128LN	

PURCHASED

CADD FILE NO.

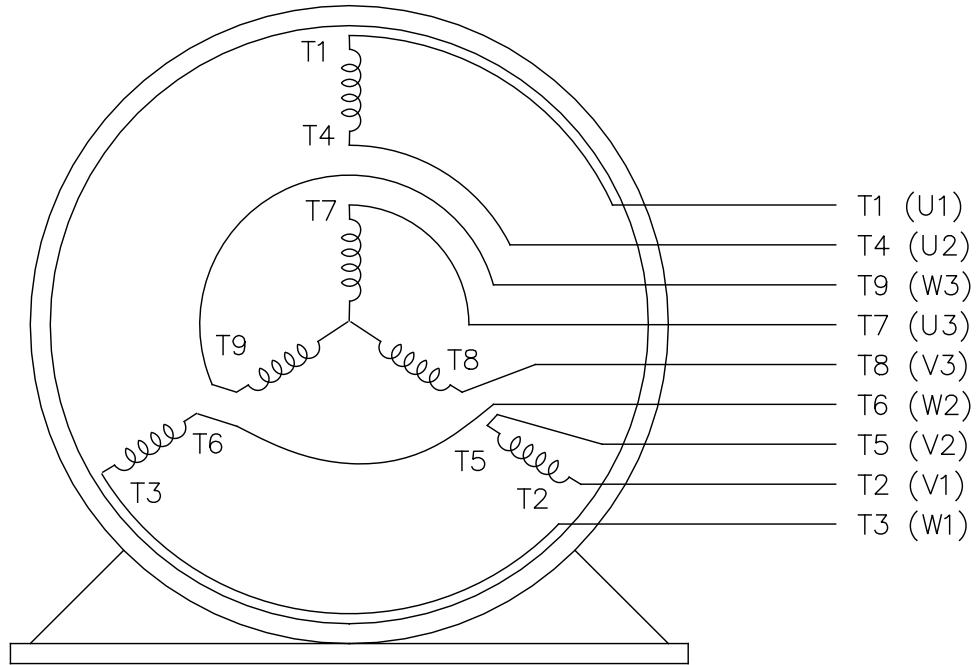
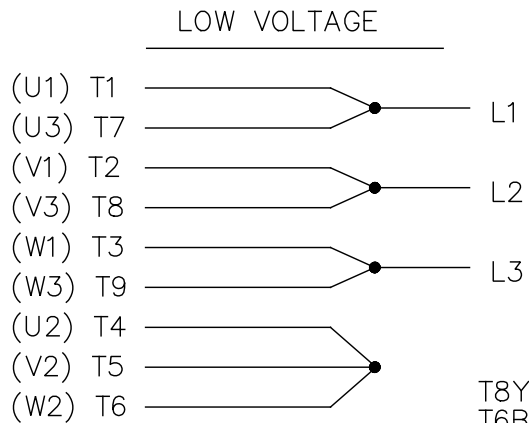
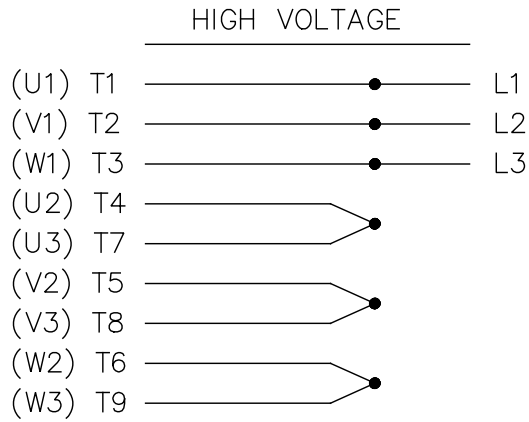
100128LN

ERROR: syntaxerror  
OFFENDING COMMAND: --nostringval--

STACK:

/im  
-savelevel-

THREE PHASE  
DUAL VOLTAGE MOTOR



VIEW OF TERMINAL END

REF.  
WINDING DIAGRAM

T8Y, T2Y, T2BL, T4BX, T2EC, T2G  
T6BZ, T2B, T6BL, T4AV, T6B, T4B

OPTIONAL CORD  
CONNECTION

L1 WHITE  
L2 RED  
L3 BLACK

DRAWING REVISION	REVISION BY	DATE
ECO	APPROVED BY	DATE
ECO DESCRIPTION NEW DRAWING		
<small>COPYRIGHT KAMAN INDUSTRIAL TECHNOLOGIES INC. VENDOR IDENTIFICATION TNP ALL RIGHTS RESERVED.                  PROPRIETARY AND CONFIDENTIAL INFORMATION - THIS DOCUMENT IS THE PROPERTY OF                  VENDOR IDENTIFICATION TNP ("OWNER") AND CONTAINS OWNER'S PROPRIETARY                  INFORMATION. ANY PERSON, CORPORATION OR OTHER FIRM RECEIVING IT IS DEEMED,                  BY RECEIVING IT, TO AGREE THAT IT, AND/OR ANY PART OF IT, SHALL NOT BE DISCLOSED                  TO ANY PERSON, CORPORATION OR OTHER ENTITY, DUPLICATED, AND/OR USED, EXCEPT                  AS EXPRESSLY APPROVED IN WRITING IN ADVANCE BY OWNER. THIS DOCUMENT SHALL                  BE RETURNED TO OWNER UPON REQUEST. IT MAY BE SUBJECT TO CERTAIN                  RESTRICTIONS UNDER APPLICABLE EXPORT CONTROL LAWS AND REGULATIONS.</small>		

TOLERANCES UNLESS OTHERWISE SPECIFIED			
DEC.	mm	INCH	ANGLE
.X	±2.5	±0.11	±0.5°
.XX	±0.51	±0.021	
.XXX	±0.127	±0.0051	
.XXXX	±0.0127	±0.00051	
REMOVE BURRS & BREAK SHARP EDGES .08/.38 [003/.015] X 45°			
CORNER FILLETS R.51 [02]			
MACHINED SURFACES INCH $\sqrt[125]{mm}$ $\sqrt[3.2]{}$			
INCH SHOWN IN [BRACKETS]			

DRAWN BY: AS
DATE: 02/20/2017
APPROVED BY: ST
DATE: 02/20/2017
REFERENCE EE7308
THIRD ANGLE PROJECTION

<b>Trans-Power</b>	
DESCRIPTION 3 PHASE - DUAL VOLTAGE	
MATERIAL	PROCESS/FINISH
SIZE DWG NO A EE7308TP	SHEET 1

**CERTIFICATION DATA SHEET**

**Model#:** 56T17D5329 B  
**CONN. DIAGRAM:** A-EE7308  
**OUTLINE:** A-100128-706

**WINDING#:** ZT416 NONE 3  
**ASSEMBLY:** F1 ONLY

**TYPICAL MOTOR PERFORMANCE DATA**

HP	KW	SYNC. RPM	F.L. RPM	FRAME	ENCLOSURE	KVA CODE	DESIGN
1 1/2&1	1.12&.75	1800	1725&1425	56	DP	K	B

PH	Hz	VOLTS	FL AMPS	START TYPE	DUTY	INSL	S.F	AMB°C	ELEVATION
3	60/50	208- 230/460#190/ 380	4.8- 4.8/2.4&4.2/2. 1	ACROSS THE LINE	CONTINUOU S	B3	1.15/1.15	40	3300

FULL LOAD EFF: 80&80	3/4 LOAD EFF: 80	1/2 LOAD EFF: 77.5	GTD. EFF	ELEC. TYPE	NO LOAD AMPS
FULL LOAD PF: 74&66	3/4 LOAD PF: 60	1/2 LOAD PF: 46.5	77.5	SQ CAGE IND RUN	3.4 / 1.7

F.L. TORQUE	LOCKED ROTOR AMPS	L.R. TORQUE	B.D. TORQUE	F.L. RISE°C
4.5 LB-FT	35 / 17.5	14.5 LB-FT 322	18.2 LB-FT 404	58

SOUND PRESSURE @ 3 FT.	SOUND POWER	ROTOR WK^2	MAX. WK^2	SAFE STALL TIME	STARTS /HOUR	APPROX. MOTOR WGT
56 dBA	66 dBA	0.07 LB-FT^2	10 LB-FT^2	12 SEC.	2	28 LBS.

**\*\*\* SUPPLEMENTAL INFORMATION \*\*\***

DE BRACKET TYPE	ODE BRACKET TYPE	MOUNT TYPE	ORIENTATION	SEVERE DUTY	HAZARDOUS LOCATION	DRIP COVER	SCREENS	PAINT
STANDARD	STANDARD	RESILIENT BASE	HORIZONTAL	FALSE	NONE	FALSE	NONE	GRAY (POWDER)

BEARINGS		GREASE	SHAFT TYPE	SPECIAL DE	SPECIAL ODE	SHAFT MATERIAL	FRAME MATERIAL
DE	OPE						
BALL	BALL	POLYREX EM	T	NONE	NONE	1144 STRESSPROOF (C-223)	ROLLED STEEL
6203	6203						

THERMO-PROTECTORS				THERMISTORS	CONTROL	SPACE /n HEATERS
THERMOSTATS	PROTECTORS	WDG RTDs	BRG RTDs			
NONE	NOT	NONE	NONE	NONE	FALSE	NONE VOLTS

If Inverter equals NONE, contact factory for further information

INVERTER TORQUE: NONE
INV. HP SPEED RANGE: NONE
ENCODER: NONE
NONE NONE
NONE NONE PPR
BRAKE: NONE NONE
NONE P/N NONE
NONE NONE
NONE FT-LB NONE V NONE Hz

\*  
N  
O  
T  
E  
S  
\*

DATE: 06/28/2017 06:30:54 AM  
 FORM 3531 REV.3 02/07/99

\*\* Subject to change without notice.



## EC Declaration of Conformity

The undersigned representing  
the manufacturer:

Regal Beloit America  
100 East Randolph St.  
Wausau, WI 54401

and the authorized representative  
established within the Community:

Marathon Electric UK  
6F Thistleton Road Ind. Estate  
Market Overton  
Oakham, Rutland LE15 7PP UK

are committed to providing customers with products that comply with applicable regulations and international protocols to which they are subject, including the requirements of the European Parliament Directive on the Harmonization of the laws relating to electrical equipment designed for use within certain voltage limits (2014/35/EU).

Regal Beloit America declares that the following product(s), to which this declaration relates, are in conformity with the relevant sections of the EC standards listed below.

This statement supersedes any statements previously issued pertaining to the product(s) listed below and is subject to change without notice.

Model No : 056T17D5329

(Model No. may contain prefix and/or suffix characters)

Catalog No : G122

Rework No : N/A

Directives :

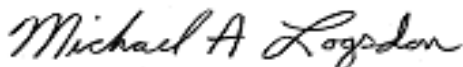
Low Voltage Directive 2014/35/EU

Harmonized Standards Used :

EN 60034-1: 2010 (IEC 60034-1: 2010)

EN 60034-5: 2001/A1:2007 (IEC 60034-5: 2000/A1:2006)

Authorized Representative:



Michael A. Logsdon  
Vice President, Technology

Authorized Representative in the Community:



Julian Clark  
Marketing Engineer

Created on 09/01/2022

**CE 22**